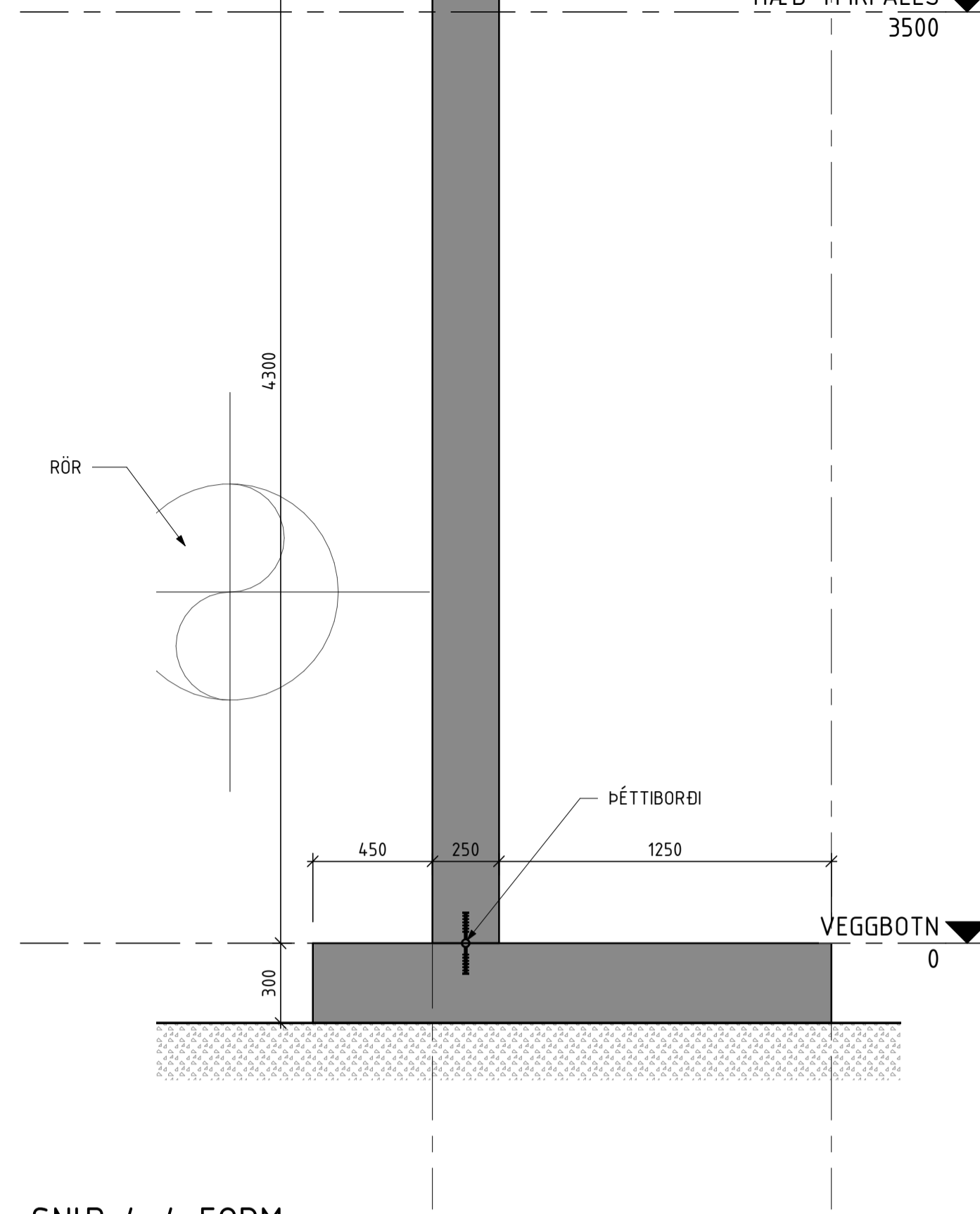
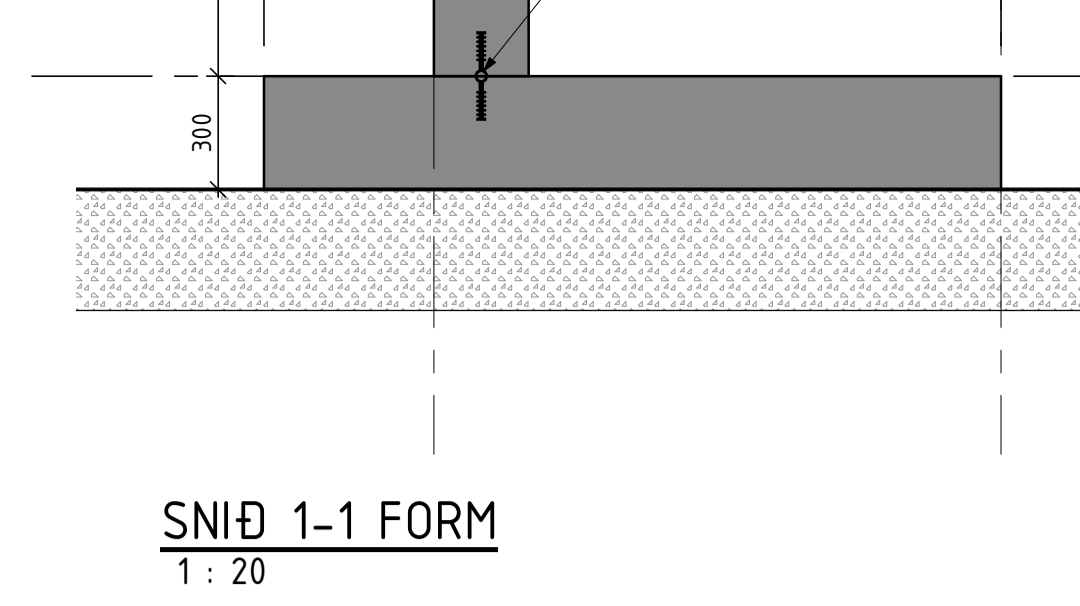


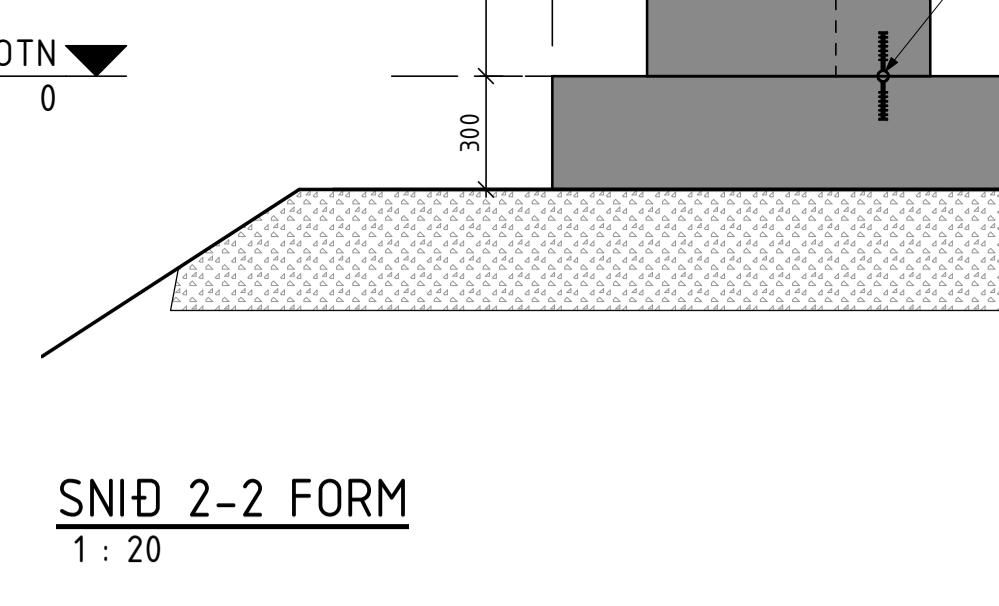
SNID 3-3 FORM
1 : 20



SNID 4-4 FORM
1 : 20



SNID 1-1 FORM
1 : 20

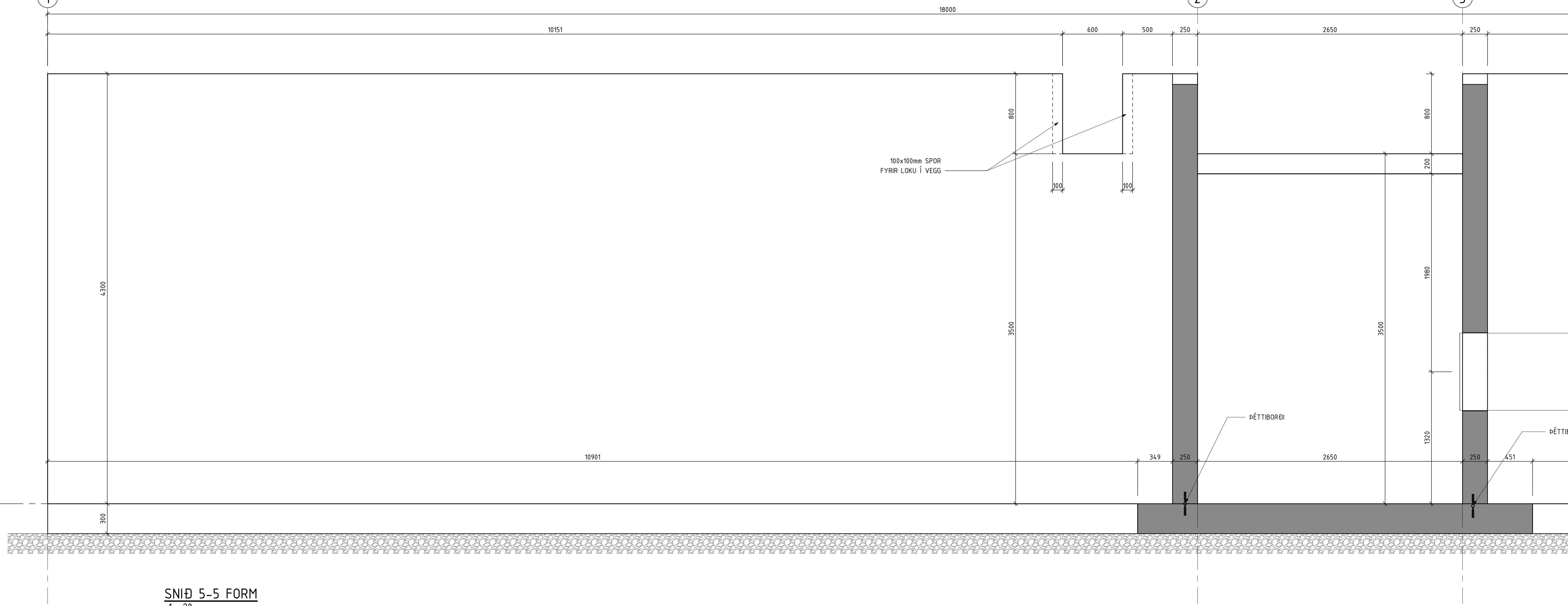


SNID 2-2 FORM
1 : 20

1

2

3



SNID 5-5 FORM
1 : 20