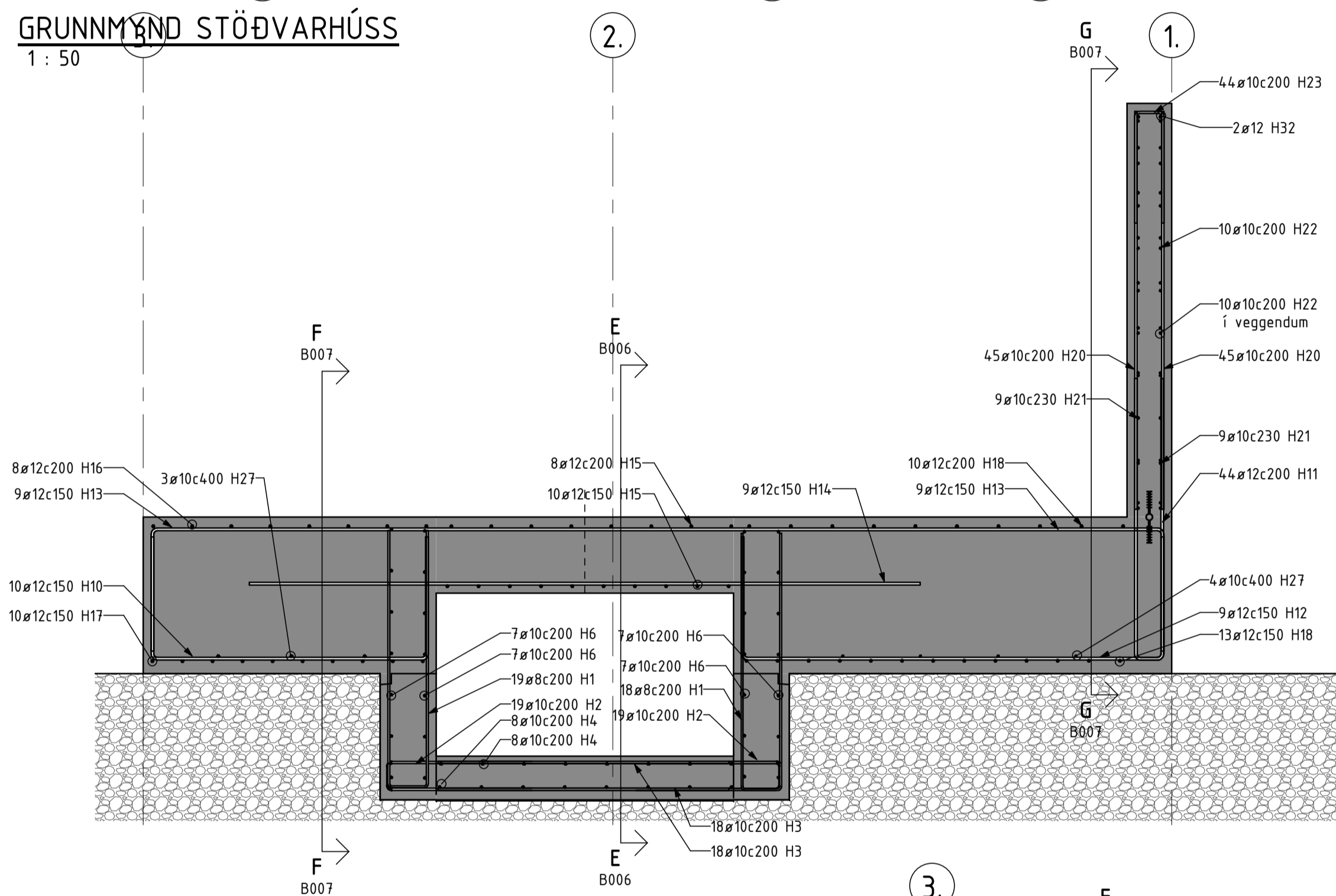
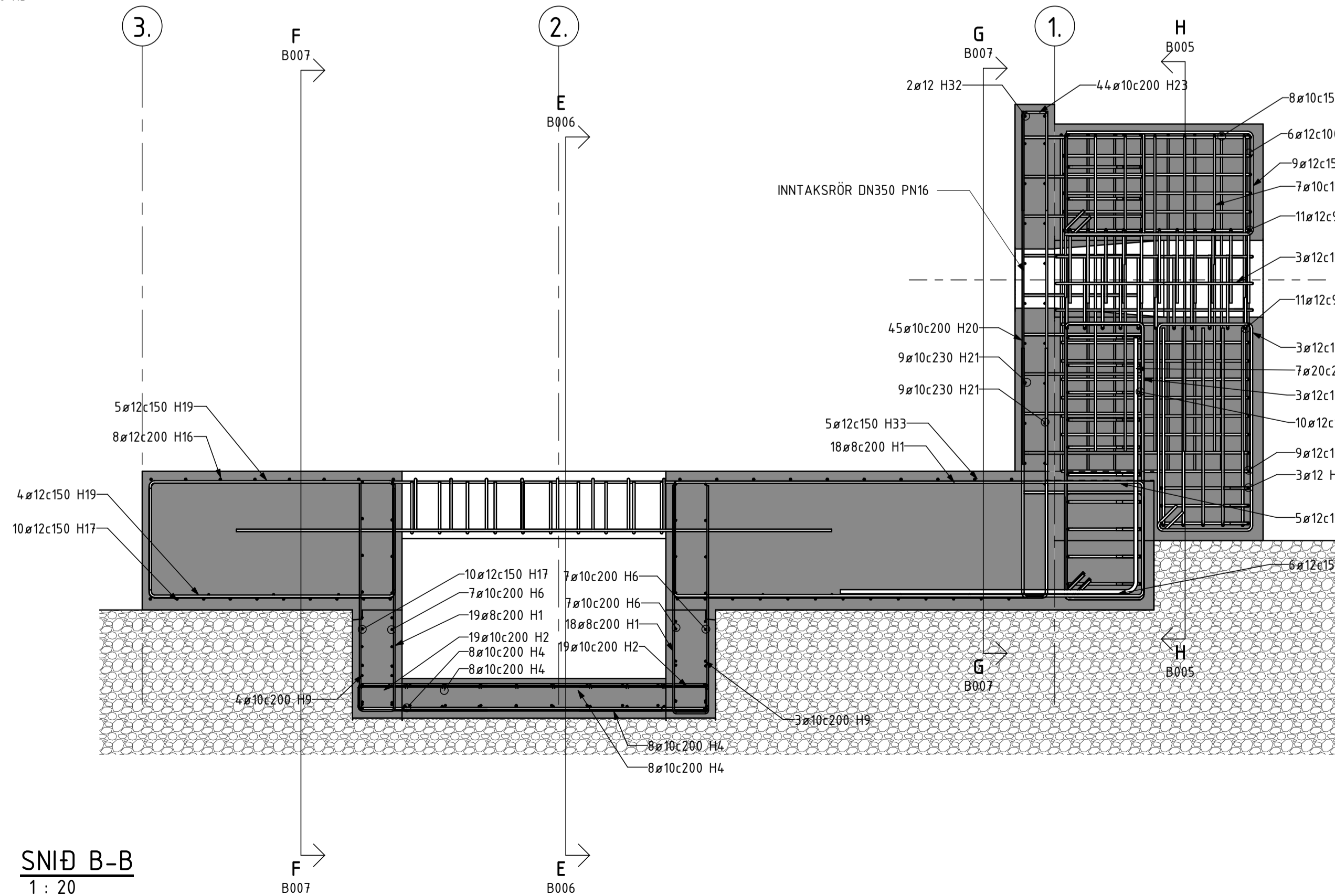


GRUNNMYND STÖÐVARHÚSS
1 : 50

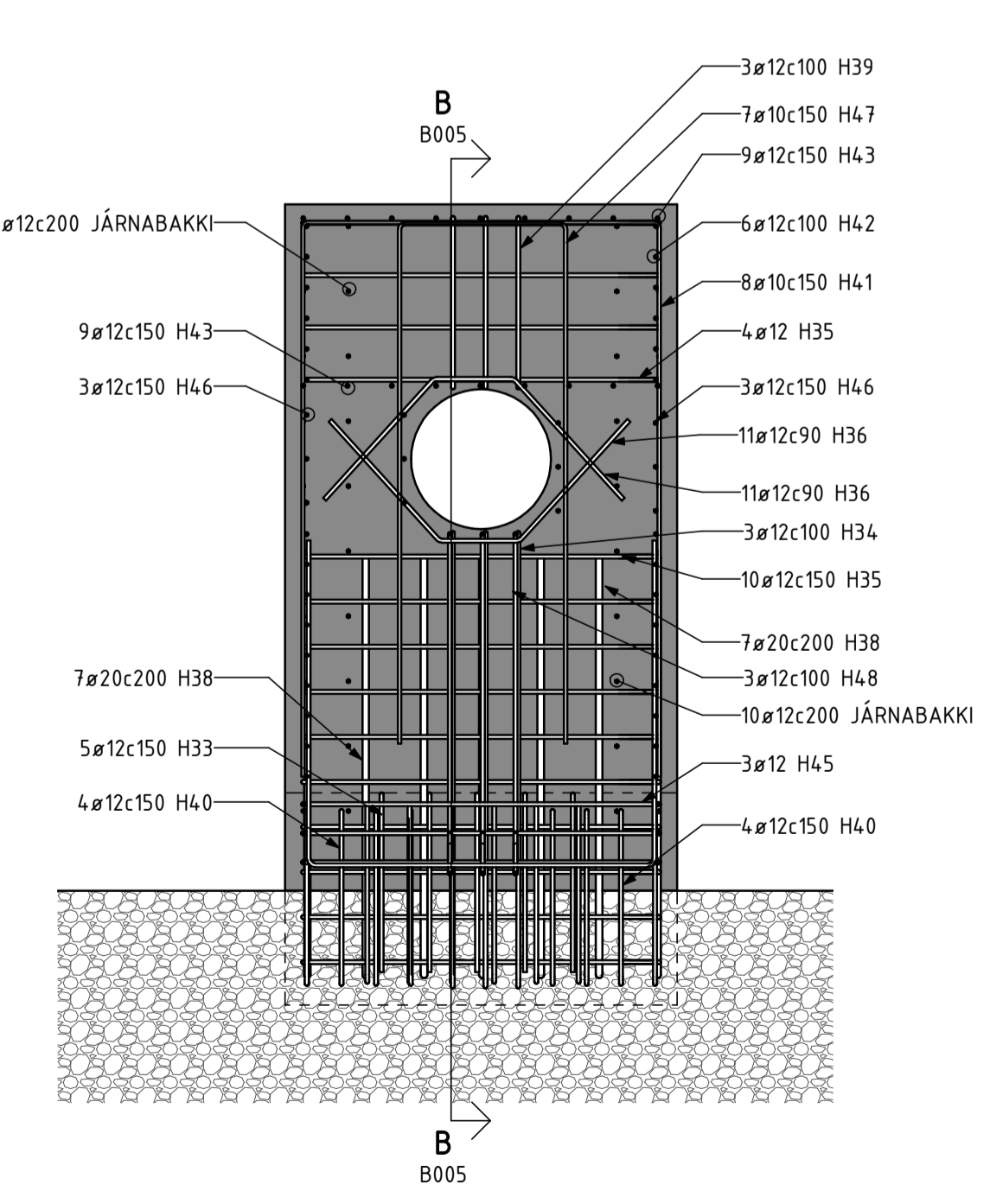


SNÍÐ A-A
1 : 20



SNÍÐ B-B
1 : 20

Verklutli	Pos.nr.	Fjöldi	Diam.	Formkóti	a	b	c	d	e	f	R	Krókur S.	Krókur E.	Kommentar	Brey.	Heild. lengd(m)	Þyng. (kg)	
frárensli veggir	H1	45	8 mm	21	1150 mm	180 mm	1150 mm	0 mm	0 mm	0 mm	0 mm	None	None			110 m	44	
úr frárensli veggjum í frárensli plötu	H2	57	10 mm	21	650 mm	130 mm	650 mm	0 mm	0 mm	0 mm	0 mm	None	None			80 m	49	
þverjárn í frárensli plötu	H3	72	10 mm	00	1300 mm	0 mm	0 mm	0 mm	0 mm	0 mm	0 mm	None	None			94 m	58	
Langjárn í frárensli plötu	H4	32	10 mm	00	3660 mm	0 mm	0 mm	0 mm	0 mm	0 mm	0 mm	None	None			117 m	72	
Endavegur í frárensli	H5	18	12 mm	00	1700 mm	0 mm	0 mm	0 mm	0 mm	0 mm	0 mm	None	None			31 m	27	
í frárensli vegg	H6	56	10 mm	00	3660 mm	0 mm	0 mm	0 mm	0 mm	0 mm	0 mm	None	None			205 m	126	
Plötubendar í frárensli	H7	16	10 mm	21	500 mm	110 mm	500 mm	0 mm	0 mm	0 mm	0 mm	None	None			17 m	11	
Toppar í frárensli veggjum	H8	17	10 mm	21	601 mm	181 mm	601 mm	0 mm	0 mm	0 mm	0 mm	None	None			23 m	14	
Horn og veggendar í frárensli veggjum	H9	26	10 mm	21	500 mm	160 mm	500 mm	0 mm	0 mm	0 mm	0 mm	None	None			29 m	18	
Plötubending	H10	10	12 mm	21	550 mm	1240 mm	550 mm	0 mm	0 mm	0 mm	0 mm	None	None			23 m	20	
	H11	67	12 mm	21	1260 mm	130 mm	1260 mm	0 mm	0 mm	0 mm	0 mm	None	None			175 m	155	
Plötubending	H12	9	12 mm	21	550 mm	1890 mm	550 mm	0 mm	0 mm	0 mm	0 mm	None	None			27 m	24	
Plötubending	H13	59	12 mm	21	550 mm	4530 mm	550 mm	0 mm	0 mm	0 mm	0 mm	None	None			330 m	293	
Plötubending	H14	9	12 mm	00	3000 mm	0 mm	0 mm	0 mm	0 mm	0 mm	0 mm	None	None			27 m	24	
Plötubending	H15	18	12 mm	21	260 mm	1240 mm	260 mm	0 mm	0 mm	0 mm	0 mm	None	None			31 m	27	
Plötubending	H16	8	12 mm	21	550 mm	5630 mm	550 mm	0 mm	0 mm	0 mm	0 mm	None	None			53 m	48	
Plötubending	H17	10	12 mm	21	500 mm	8630 mm	550 mm	0 mm	0 mm	0 mm	0 mm	None	None			96 m	86	
Plötubending	H18	23	12 mm	21	550 mm	8630 mm	550 mm	0 mm	0 mm	0 mm	0 mm	None	None			223 m	198	
Plötubending	H19	9	12 mm	21	550 mm	1240 mm	550 mm	0 mm	0 mm	0 mm	0 mm	None	None			21 m	18	
Veggur	H20	138	10 mm	00	0 mm	0 mm	0 mm	0 mm	0 mm	0 mm	0 mm	None	None			246 m	152	
Veggur	H21	23	10 mm	LM								None	None	Lengdarmetrar		272 m	168	
Veggendar	H22	10	10 mm	21	500 mm	110 mm	500 mm	0 mm	0 mm	0 mm	0 mm	None	None			11 m	7	
Veggendar	H22	20	10 mm	21		110 mm						None	None			24 m	15	
Veggendar	H22	10	10 mm	21	599 mm	110 mm	599 mm	0 mm	0 mm	0 mm	0 mm	None	None			13 m	8	
Veggendar	H23	67	10 mm	21	500 mm	130 mm	500 mm	0 mm	0 mm	0 mm	0 mm	None	None			73 m	45	
Plötubending	H24	9	12 mm	21	500 mm	6620 mm	550 mm	0 mm	0 mm	0 mm	0 mm	None	None			69 m	61	
Plötubending	H25	6	12 mm	21	550 mm	3620 mm	550 mm	0 mm	0 mm	0 mm	0 mm	None	None			28 m	25	
Plötubending	H26	4	12 mm	21	550 mm	6620 mm	550 mm	0 mm	0 mm	0 mm	0 mm	None	None			31 m	27	
í kringum rörintak	H27	24	10 mm	44	200 mm	570 mm	400 mm	570 mm	200 mm	0 mm	0 mm	None	None			45 m	28	
plötubending við inngang	H28	12	12 mm	11	3580 mm	500 mm	0 mm	0 mm	0 mm	0 mm	0 mm	None	None			49 m	43	
plötubending við inngang	H29	16	12 mm	11	2600 mm	500 mm	0 mm	0 mm	0 mm	0 mm	0 mm	None	None			49 m	44	
plötubending við inngang	H30	16	12 mm	21	550 mm	4530 mm	450 mm	0 mm	0 mm	0 mm	0 mm	None	None			88 m	78	
Plötubending	H31	16	12 mm	21	550 mm	2430 mm	550 mm	0 mm	0 mm	0 mm	0 mm	None	None			56 m	50	
Veggtoppur	H32	2	12 mm	00	8631 mm	0 mm	0 mm	0 mm	0 mm	0 mm	0 mm	None	None			17 m	15	
	H32	1	12 mm	LM								None	None			10 m	9	
Plötubending	H33	11	12 mm	21	550 mm	2375 mm	550 mm	0 mm	0 mm	0 mm	0 mm	None	None			38 m	34	
í kringum inntaksrör	H34	3	12 mm	31	400 mm	1400 mm	400 mm	1400 mm	0 mm	0 mm	0 mm	2	2	lokaðar lykkjur		11 m	10	
	H35	14	12 mm	31	1100 mm	380 mm	1100 mm	380 mm	0 mm	0 mm	0 mm	2	2			45 m	40	
í kringum inntaksrör	H36	22	12 mm	25	500 mm	250 mm	500 mm	370 mm	370 mm	0 mm	0 mm	0 mm	None	None			27 m	24
	H37	5	12 mm	21	1000 mm	1070 mm	1000 mm	0 mm	0 mm	0 mm	0 mm	None	None			15 m	13	
Við inntaksrör úr plötu og upp í hnall	H38	7	20 mm	11	1500 mm	1290 mm	0 mm	0 mm	0 mm	0 mm	0 mm	None	None			19 m	47	
í kringum inntaksrör	H39	3	12 mm	31	404 mm	530 mm	403 mm	530 mm	0 mm	0 mm	0 mm	2	2	lokaðar lykkjur		6 m	6	
í kringum rörintak	H40	8	12 mm	31	400 mm	540 mm	400 mm	540 mm	0 mm	0 mm	0 mm	2	2	lokaðar lykkjur		17 m	15	
	H41	8	10 mm	21	1700 mm	1100 mm	1700 mm	0 mm	0 mm	0 mm	0 mm	None	None			36 m	22	
	H42	15	12 mm	21	950 mm	1080 mm	950 mm	0 mm	0 mm	0 mm	0 mm	None	None			44 m	39	
	H43	9	12 mm	21	950 mm	524 mm	941 mm	0 mm	0 mm	0 mm	0 mm	None	None			21 m	19	
	H45	3	12 mm	31	1100 mm	450 mm	1100 mm	450 mm	0 mm	0 mm	0 mm	2	2			10 m	9	
í kringum inntaksrör	H46	3	12 mm	31	995 mm	310 mm	995 mm	0 mm	0 mm	0 mm	0 mm	2	2	lokaðar lykkjur		9 m	8	
í kringum inntaksrör	H46	3	12 mm	31	310 mm	1000 mm	310 mm	1000 mm	0 mm	0 mm	0 mm	2	2	lokaðar lykkjur		9 m	8	
	H47	7	10 mm	21	1596 mm	518 mm	1596 mm	0 mm	0 mm	0 mm	0 mm	None	None			26 m	16	
í kringum inntaksrör	H48	3	12 mm	31	480 mm	1050 mm	480 mm	1050 mm	0 mm	0 mm	0 mm	2	2	lokaðar lykkjur		10 m	9	
Tenging í hnall með inntaksrör, i endum	JÄRNABAKKI	10	12 mm	21	600 mm	141 mm	600 mm	0 mm	0 mm	0 mm	0 mm	None	None			13 m	12	
Tenging í hnall með inntaksrör, i endum	JÄRNABAKKI	10	12 mm	21	600 mm	150 mm	600 mm	0 mm	0 mm	0 mm	0 mm	None	None			13 m	12	
Grand total:		1079														3160 m	2427	



SNÍÐ H-H
1 : 20

Breyting:	Hverju breytt:	Dags:	Breytt af:	Yfirf.
Högfraborg 12 Kópavogur Sími: 859 50 90 vignir@ssaga.is				
ÚLFÁRSVIRKJUN ÍSAFJARDARKAUPSTAÐUR STÖÐVARHÚS				
GRUNNMYND, SNÍÐ A-A, B-B OG H-H, JÄRNALISTI				
Mv:	1:20/50	Bláasteröð	A1	Þurðarþol
Skiptanafn teikningar:	Undirskrift hönnuðar:			
Dags:	14.06.2017	Teiknað:	VJ	Kennitala: 020561-4759
Hannað:	VJ	Yfirfarað:	VJ	Undirskrift aðalhönnuðar:
Verknr.:	13066-50	Teikningarnr.:	B005	Kennitala: